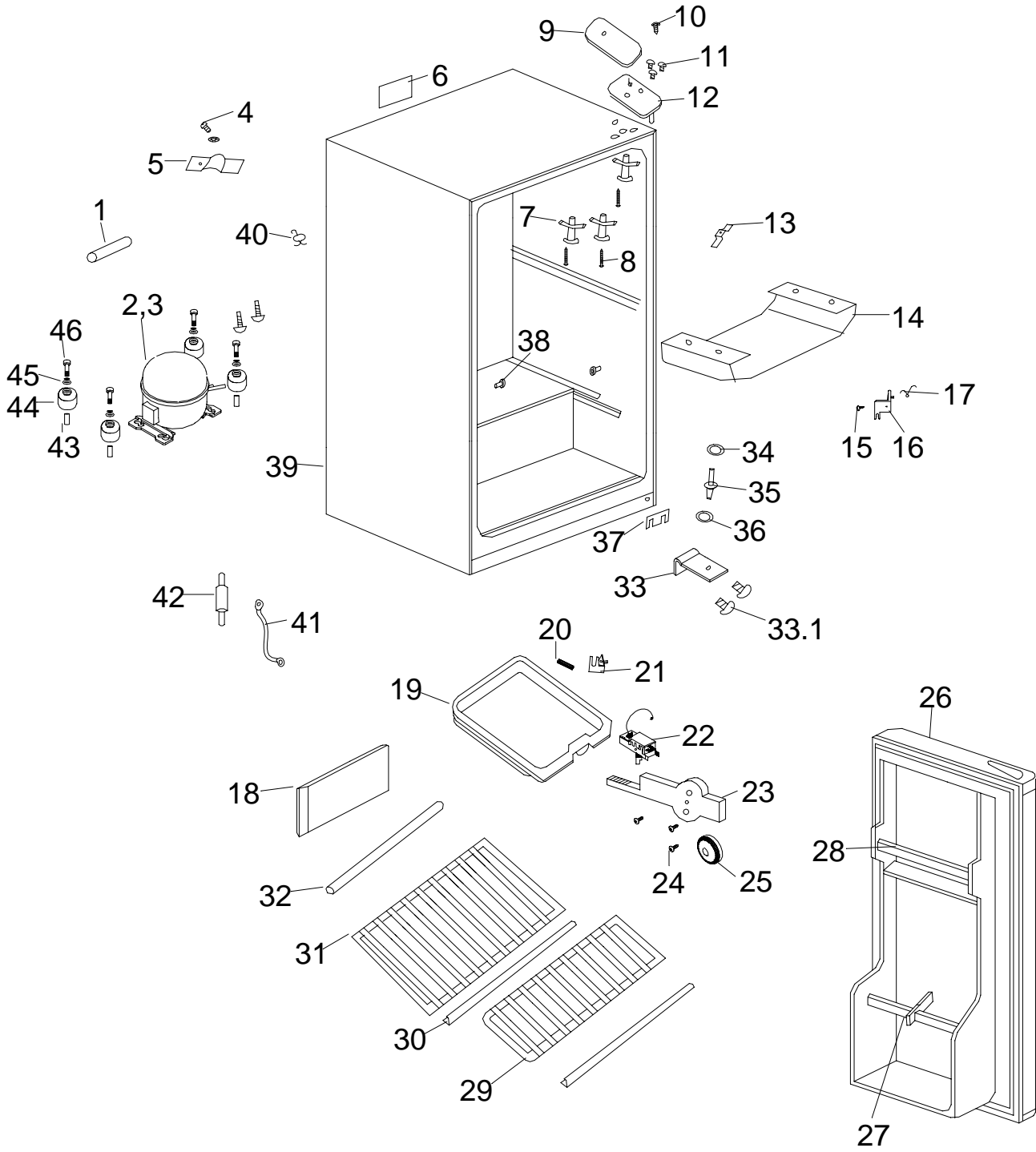


DIAGRAM NO: RF-01-073



Part Number	Description	Fig #	Sugg. List
RF-0010-46	ACCESSORIES - COMPRESSOR	3	6.37
RF-0140-04	AXLE - HINGE	35	0.75
RF-0200-25	BAR - BOTTLE	28	1.73
RF-0200-29	BAR - RETAINING	32	13.51
RF-0750-05	BOLT	46	0.75
RF-0850-33	BRACKET - [T TOP]	27	1.16
RF-1300-155	CABINET	39	198.89
RF-1302-22	CABLE - GROUNDING	41	1.40
RF-1450-90	CARTON	47	13.65
RF-1640-04	CLAMP - CABLE	5	0.75
RF-1650-35	CLIP	13	0.75
RF-1750-57	COMPRESSOR	2	227.01
RF-1950-169	COVER - HINGE	9	1.16
RF-1950-129	COVER - THERM CABLE	20	0.75
RF-2300-233	DOOR	26	51.34
RF-2300-121	DOOR - EVAP	18	2.21
RF-2400-29	DRIER	42	6.84
RF-2650-73	EVAPORATOR	14	73.38
RF-2760-02	FASTENER	40	0.75
RF-3355-01	HANGER - EVAPORATOR	7	0.75
RF-3450-127	HINGE	12	2.31
RF-3450-112	HINGE - BOTTOM	33	1.40
RF-3450-124	HINGE - EVAP DOOR [BOTTOM]	21	0.75
RF-3450-115	HINGE - EVAP DOOR [TOP]	16	0.75
RF-3600-19	HOUSING - THERMOSTAT	23	4.21
RF-4000-39	KNOB - THERMOSTAT	25	0.75
RF-9999-175	MANUAL - USE & CARE	48	5.38
RF-4600-57	NAMEPLATE	6	1.16
RF-6050-07	RUBBER - COMPRESSOR	0.75	
RF-6150-105	SCREW	10	0.75
RF-6150-68	SCREW	15	0.75
RF-6150-184	SCREW	24	0.75
RF-6150-62	SCREW	4	0.75
RF-6150-20	SCREW - PHILLIPS OVAL HEAD	11	0.75
RF-6150-13	SCREW - PHILLIPS TAPPING	8	0.75
RF-6350-139	SHELF	29	8.69
RF-6350-138	SHELF - HALF	31	4.63
RF-6420-07	SHIM - BOTTOM HINGE	36	0.75
RF-6420-08	SHIM - DOOR	37	0.75
RF-6535-01	SLEEVE - AXLE	38	5.06
RF-6535-07	SLEEVE - STEEL	43	0.92
RF-6750-07	SPRING - EVAP DOOR	17	6.00
RF-7350-59	THERMOSTAT - [ASSY]	22	27.37
RF-7600-83	TRAY - WATER	19	4.87
RF-7700-33	TRIM	30	0.82
RF-7750-23	TUBE - DISCHARGE	1	0.96
RF-7950-71	WASHER	44	0.75
RF-7950-06	WASHER - SPRING	34	0.75